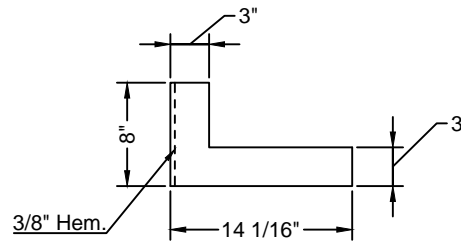
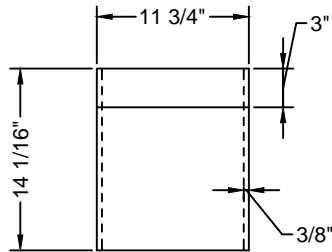


FRONT ELEVATION

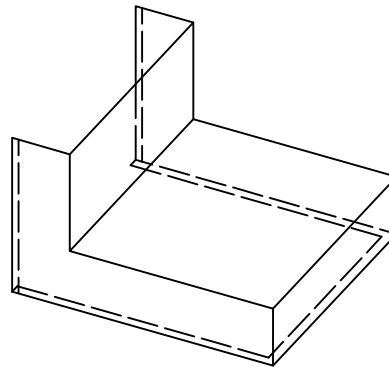


SIDE VIEW

● 18 GA. 304 stainless steel construction.



PLAN VIEW



ISOMETRIC

DRAWIN FOR :	MAT.	TOP : 18GA. 304 S/S. BASE :	DATE	REVISIONS	<p>Tarrison Products Ltd.</p>
REF. NO :	REQ'D/ITEM :				
ITEM NAME : Cold Plate Cover	DATE : Jul / 18/ 2020				
PROD. NO. : TA-CMUCPC	BY :				
SCALE: 1/2" =1'-0"	CHECKED BY :				